

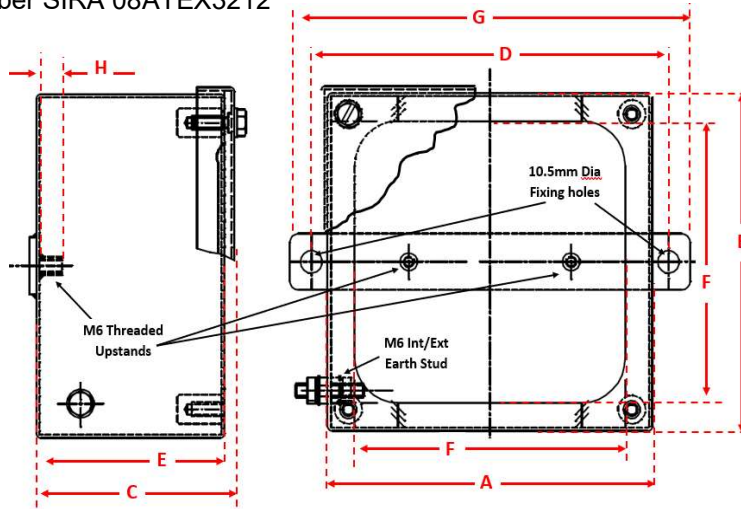


Stock, Pre-assembled. IP66 Stainless Steel (316L) ATEX Junction Boxes for EX e Increased Safety applications.

CE-TEK's "ACEX" fully welded Stainless Steel enclosures are available *Off the Shelf* in 3 popular sizes and various terminal configurations to meet our customers' urgent "ATEX" Certified Ex / Hazardous Area requirements.

All pre-assembled enclosures comply with current EN 60079:2007 Ex e requirements and are Rated to IP66 and T6 (T85°C) or T5 (100°C) temperature ratings

Ex Certified: - ATEX certificate number SIRA 08ATEX3212



ATEX / EX e

RS Stock No.	A (mm)	B (mm)	C (mm)	D (mm)	E (mm)	F (mm)	G (mm)	H (mm)
184-0467	120	120	80	145	75.5	95	165	10
184-0468	150	150	90	175	85.5	125	195	10
184-0469	190	190	100	215	95.5	165	235	10



RS Article No. 184-0467

Punched & Assembled with:

- Size 122 x 120 x 80mm
- "Orbital" grained finish
- 4xM20 Cable entries
- 4x4mm² Terminals, numbered & fitted to TS35 DIN Rail
- 1x4mm² Earth Terminal
- M6 Int/Ext Earth Stud
- 4xCertified Stopping Plugs
- 3mm thick rear mounting strap
- ATEX Certification Label



RS Article No. 184-0468

Punched & Assembled with:

- Size 150 x 150 x 90mm
- "Orbital" grained finish
- 4xM20 Cable entries
- 7x4mm² Terminals, numbered & fitted to TS35 DIN Rail
- 2x4mm² Earth Terminal
- M6 Int/Ext Earth Stud
- 4xCertified Stopping Plugs
- 3mm thick rear mounting strap
- ATEX Certification Label



RS Article No. 184-0469

Punched & Assembled with:

- Size 190 x 190 x 100mm
- "Orbital" grained finish
- 6xM20 Cable entries
- 14x4mm² Terminals, numbered & fitted to TS35 DIN Rail
- 2x4mm² Earth Terminal
- M6 Int/Ext Earth Stud
- 6xCertified Stopping Plugs
- 3mm thick rear mounting strap
- ATEX Certification Label