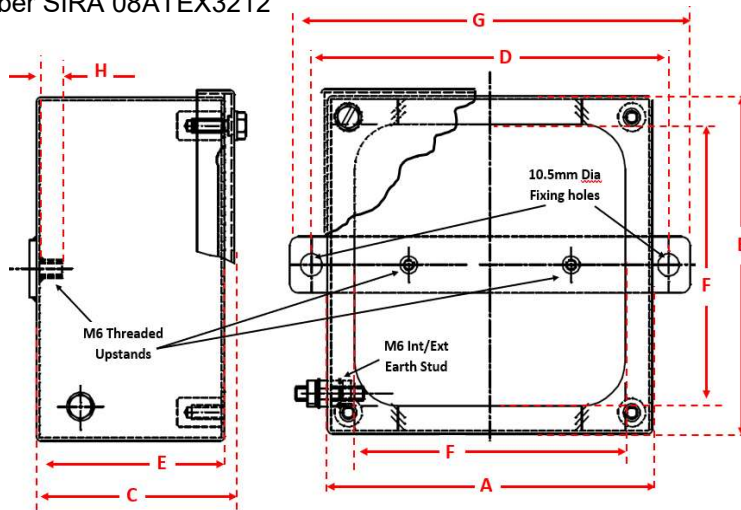


Ex Stock, Pre-assembled.
IP66 Stainless Steel (316L) ATEX Junction Boxes for EX e Increased Safety applications.

CE-TEK's "ACEX" fully welded Stainless Steel enclosures are available *Off the Shelf* in 3 popular sizes and various terminal configurations to meet our customers' urgent "ATEX" Certified Ex / Hazardous Area requirements.

All pre-assembled enclosures comply with current EN 60079:2007 Ex e requirements and are Rated to IP66 and T6 (T85°C) or T5 (100°C) temperature ratings

Ex Certified: - ATEX certificate number SIRA 08ATEX3212



ATEX / EX e

Part Number	A (mm)	B (mm)	C (mm)	D (mm)	E (mm)	F (mm)	G (mm)	H (mm)
ACEX 121280PA	120	120	80	145	75.5	95	165	10
ACEX 151590PA	150	150	90	175	85.5	125	195	10
ACEX 191910PA	190	190	100	215	95.5	165	235	10



Part No. ACEX 121280PA

Punched & Assembled with:

- Size 122 x 120 x 80mm
- "Orbital" grained finish
- 4xM20 Cable entries
- 4x4mm² Terminals, numbered & fitted to TS35 DIN Rail
- 1x4mm² Earth Terminal
- M6 Int/Ext Earth Stud
- 4xCertified Stopping Plugs
- 3mm thick rear mounting strap
- ATEX Certification Label



Part No. ACEX 151590PA

Punched & Assembled with:

- Size 150 x 150 x 90mm
- "Orbital" grained finish
- 4xM20 Cable entries
- 7x4mm² Terminals, numbered & fitted to TS35 DIN Rail
- 2x4mm² Earth Terminal
- M6 Int/Ext Earth Stud
- 4xCertified Stopping Plugs
- 3mm thick rear mounting strap
- ATEX Certification Label



Part No. ACEX 191910PA

Punched & Assembled with:

- Size 190 x 190 x 100mm
- "Orbital" grained finish
- 6xM20 Cable entries
- 14x4mm² Terminals, numbered & fitted to TS35 DIN Rail
- 2x4mm² Earth Terminal
- M6 Int/Ext Earth Stud
- 6xCertified Stopping Plugs
- 3mm thick rear mounting strap
- ATEX Certification Label