

Stainless Steel Ball Lock Cable Ties – Uncoated

Technical Information

Material: Non-magnetic Stainless Steel - 316 grade
 Temp. range: - 60°C to + 300°C
 Flammability rating: UL94 fireproof, Halogen free & UV resistant
 Finish options: Uncoated plain Stainless Steel



Ball Lock-Uncoated Cable Ties 4.6mm width Stainless Steel (316)



Part No	Material	Width		Length		Thickness		Maximum Diameter Single Loop		Tensile Strength Minimum Loop		Package Qty
		mm	In	mm	In	mm	In	mm	In	N	lbs	
LOC646-100	316 S/Stl	4.6	0.18	100	4	0.25	0.01	18	0.7	445	100	100 / bag
LOC646-150	316 S/Stl	4.6	0.18	150	6	0.25	0.01	34	1.3	445	100	100 / bag
LOC646-200	316 S/Stl	4.6	0.18	200	8	0.25	0.01	50	2	445	100	100 / bag
LOC646-260	316 S/Stl	4.6	0.18	260	10	0.25	0.01	69	2.7	445	100	100 / bag
LOC646-300	316 S/Stl	4.6	0.18	300	12	0.25	0.01	81	3	445	100	100 / bag
LOC646-360	316 S/Stl	4.6	0.18	360	14	0.25	0.01	100	3.9	445	100	100 / bag
LOC646-400	316 S/Stl	4.6	0.18	400	15.7	0.25	0.01	112	4.4	445	100	100 / bag
LOC646-450	316 S/Stl	4.6	0.18	450	17.7	0.25	0.01	128	5	445	100	100 / bag
LOC646-520	316 S/Stl	4.6	0.18	520	20	0.25	0.01	151	5.9	445	100	100 / bag
LOC646-620	316 S/Stl	4.6	0.18	620	24	0.25	0.01	183	7.2	445	100	100 / bag
LOC646-680	316 S/Stl	4.6	0.18	680	26.7	0.25	0.01	201	7.9	445	100	100 / bag
LOC646-840	316 S/Stl	4.6	0.18	840	33	0.25	0.01	253	10	445	100	100 / bag
LOC646-1000	316 S/Stl	4.6	0.18	1000	39	0.25	0.01	304	12	445	100	100 / bag



Ball Lock-Uncoated Cable Ties 7.9mm width Stainless Steel (316)

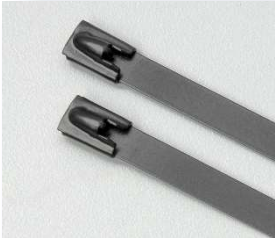


Part No	Material	Width		Length		Thickness		Maximum Diameter Single Loop		Minimum Loop Tensile Strength		Package Qty
		mm	In	mm	In	mm	In	mm	In	N	lbs	
LOC679-100	316 S/Stl	7.9	0.18	100	4	0.25	0.01	18	0.7	1112	250	100 / bag
LOC679-150	316 S/Stl	7.9	0.18	150	6	0.25	0.01	34	1.3	1112	250	100 / bag
LOC679-200	316 S/Stl	7.9	0.18	200	8	0.25	0.01	50	2	1112	250	100 / bag
LOC679-260	316 S/Stl	7.9	0.18	260	10	0.25	0.01	69	2.7	1112	250	100 / bag
LOC679-300	316 S/Stl	7.9	0.18	300	12	0.25	0.01	81	3	1112	250	100 / bag
LOC679-360	316 S/Stl	7.9	0.18	360	14	0.25	0.01	100	3.9	1112	250	100 / bag
LOC679-400	316 S/Stl	7.9	0.18	400	15.7	0.25	0.01	112	4.4	1112	250	100 / bag
LOC679-450	316 S/Stl	7.9	0.18	450	17.7	0.25	0.01	128	5	1112	250	100 / bag
LOC679-520	316 S/Stl	7.9	0.18	520	20	0.25	0.01	151	5.9	1112	250	100 / bag
LOC679-620	316 S/Stl	7.9	0.18	620	24	0.25	0.01	183	7.2	1112	250	100 / bag
LOC679-680	316 S/Stl	7.9	0.18	680	26.7	0.25	0.01	201	7.9	1112	250	100 / bag
LOC679-840	316 S/Stl	7.9	0.18	840	33	0.25	0.01	253	10	1112	250	100 / bag
LOC679-1000	316 S/Stl	7.9	0.18	1000	39	0.25	0.01	304	12	1112	250	100 / bag

Stainless Steel Ball Lock Cable Ties – Coated

Technical Information

Material: Non-magnetic Stainless Steel - 316 grade
 Temp. range: - 60°C to + 300°C
 Flammability rating: UL94 fireproof, Halogen free & UV resistant
 Finish options: Surface finished with a Pure Polyester & Epoxy coating (Black)



Ball Lock-Coated Cable Ties 4.6mm width Stainless Steel (316)



Part No	Material	Width		Length		Thickness		Maximum Diameter Single Loop		Minimum Loop Tensile Strength		Package Qty
		mm	In	mm	In	mm	In	mm	In	N	lbs	
LOC646-100-B	316 S/Stl	4.6	0.18	100	4	0.25	0.01	18	0.7	445	100	100 / bag
LOC646-150-B	316 S/Stl	4.6	0.18	150	6	0.25	0.01	34	1.3	445	100	100 / bag
LOC646-200-B	316 S/Stl	4.6	0.18	200	8	0.25	0.01	50	2	445	100	100 / bag
LOC646-260-B	316 S/Stl	4.6	0.18	260	10	0.25	0.01	69	2.7	445	100	100 / bag
LOC646-300-B	316 S/Stl	4.6	0.18	300	12	0.25	0.01	81	3	445	100	100 / bag
LOC646-360-B	316 S/Stl	4.6	0.18	360	14	0.25	0.01	100	3.9	445	100	100 / bag
LOC646-400-B	316 S/Stl	4.6	0.18	400	15.7	0.25	0.01	112	4.4	445	100	100 / bag
LOC646-450-B	316 S/Stl	4.6	0.18	450	17.7	0.25	0.01	128	5	445	100	100 / bag
LOC646-520-B	316 S/Stl	4.6	0.18	520	20	0.25	0.01	151	5.9	445	100	100 / bag
LOC646-620-B	316 S/Stl	4.6	0.18	620	24	0.25	0.01	183	7.2	445	100	100 / bag
LOC646-680-B	316 S/Stl	4.6	0.18	680	26.7	0.25	0.01	201	7.9	445	100	100 / bag
LOC646-840-B	316 S/Stl	4.6	0.18	840	33	0.25	0.01	253	10	445	100	100 / bag
LOC646-1000-B	316 S/Stl	4.6	0.18	1000	39	0.25	0.01	304	12	445	100	100 / bag



Ball Lock-Coated Cable Ties 7.9mm width Stainless Steel (316)



Part No	Material	Width		Length		Thickness		Maximum Diameter Single Loop		Minimum Loop Tensile Strength		Package Qty
		mm	In	mm	In	mm	In	mm	In	N	lbs	
LOC679-100-B	316 S/Stl	7.9	0.18	100	4	0.25	0.01	18	0.7	1112	250	100 / bag
LOC679-150-B	316 S/Stl	7.9	0.18	150	6	0.25	0.01	34	1.3	1112	250	100 / bag
LOC679-200-B	316 S/Stl	7.9	0.18	200	8	0.25	0.01	50	2	1112	250	100 / bag
LOC679-260-B	316 S/Stl	7.9	0.18	260	10	0.25	0.01	69	2.7	1112	250	100 / bag
LOC679-300-B	316 S/Stl	7.9	0.18	300	12	0.25	0.01	81	3	1112	250	100 / bag
LOC679-360-B	316 S/Stl	7.9	0.18	360	14	0.25	0.01	100	3.9	1112	250	100 / bag
LOC679-400-B	316 S/Stl	7.9	0.18	400	15.7	0.25	0.01	112	4.4	1112	250	100 / bag
LOC679-450-B	316 S/Stl	7.9	0.18	450	17.7	0.25	0.01	128	5	1112	250	100 / bag
LOC679-520-B	316 S/Stl	7.9	0.18	520	20	0.25	0.01	151	5.9	1112	250	100 / bag
LOC679-620-B	316 S/Stl	7.9	0.18	620	24	0.25	0.01	183	7.2	1112	250	100 / bag
LOC679-680-B	316 S/Stl	7.9	0.18	680	26.7	0.25	0.01	201	7.9	1112	250	100 / bag
LOC679-840-B	316 S/Stl	7.9	0.18	840	33	0.25	0.01	253	10	1112	250	100 / bag
LOC679-1000-B	316 S/Stl	7.9	0.18	1000	39	0.25	0.01	304	12	1112	250	100 / bag

Stainless Steel Ball Lock Cable Ties – Accessories



Stainless Steel Cable Tie Installation Tools

Part No

LOC-01G Tool

- Easy to use, one-hand operated "Automatic" tensioning gun
- Side loading design allows accurate and rapid positioning
- Fully adjustable, to ensure the desired tension each time
- Auto-Cut feature offers easy removal of excess tie length



Part No

LOC-02P Tool

- Simple hand operated Tool with manual tension control
- Lever actuated cut-off for simple removal of excess tie length
- Side loading design allows accurate and rapid positioning
- Rugged, lightweight and easy to operate "Plier" style tool



Stainless Steel Ball Lock Cable Ties – Applications

Rail / Road

Oil & Gas

Shipping

Signage & Signals

Utilities

Communications

Petrochemical

Automotive

Cable Installation

Automation & Control

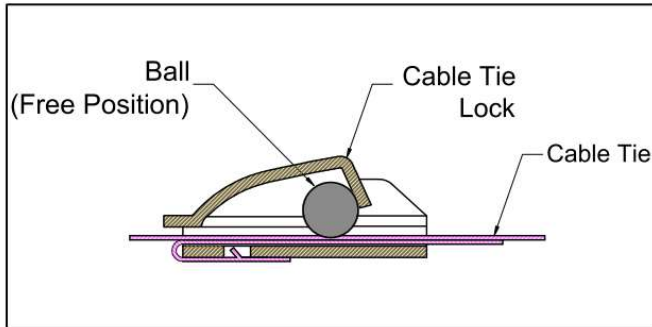
Food & Beverage

Pharmaceutical

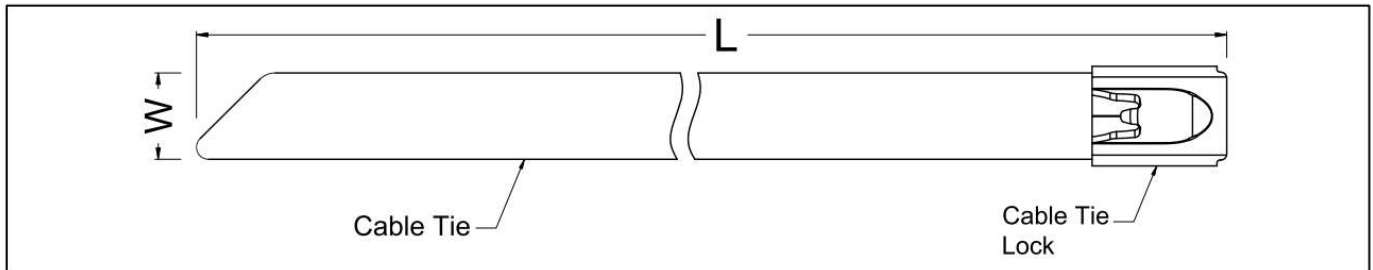
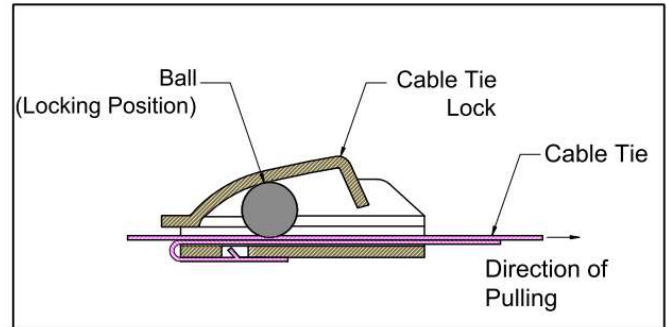
Stainless Steel Ball Lock Cable Ties – Design Concept

The Ball Lock (or Wedge) Mechanism explained.....

1) Free Position



2) Locking Position



Key features of the Ball Lock cable tie.....

- ✓ Flame Retardant, Non-Toxic and Halogen Free.
- ✓ Self-locking mechanism provides fast and simple installation.
- ✓ Designed with Rounded edges and Smooth surfaces for safe handling.
- ✓ Fully enclosed head prevents dirt & grit from interfering with the locking mechanism.
- ✓ Ideal for use where Corrosion, Vibration, Radiation & Temperature extremes exist.
- ✓ The Lock Mechanism uses a 316 S/St ball ensuring a perfect lock even in the harshest corrosive conditions.

CE-TEK (Controls & Enclosure Technik Ltd)

Tideswell Business Park, Whitecross Road, Tideswell. Derbyshire. England. SK17 8NY.

Phone: 0044(0)1298 872233

Fax: 0044(0)1298 871155.

Web: www.ce-tek.co.uk