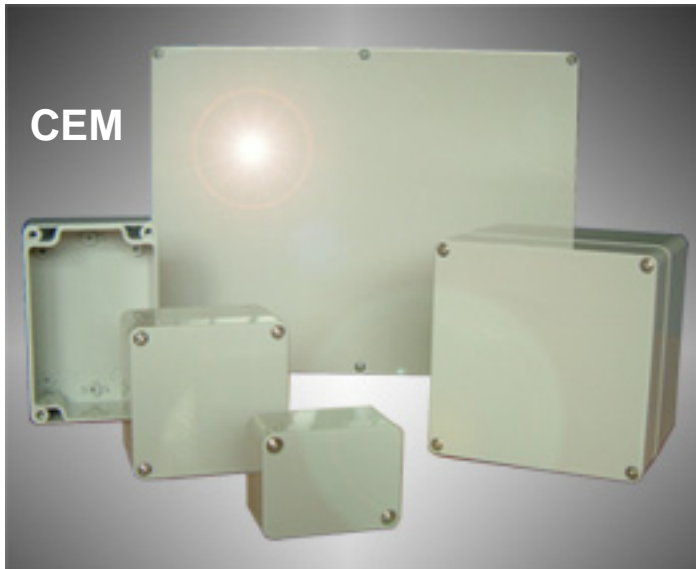


# CE-TEK POLYCARBONATE ENCLOSURES



**SEALED UP TO IP 66.  
WIDE RANGE OF SIZES.  
FULL CUSTOMISING  
SERVICE AVAILABLE.  
SPECIAL COLOURS.  
RFI SHIELDING.  
WIDE RANGE OF GLANDS  
AND TERMINALS.  
POLYCARBONATE OR ABS.  
CLEAR LIDS.**

THE CE-TEK RANGE OF POLYCARBONATE AND ABS ENCLOSURES HAVE BEEN DESIGNED TO MEET THE HIGHEST STANDARDS OF PROTECTION DEMANDED BY ELECTRICAL AND ELECTRONICS DESIGNERS AND SPECIFIERS FOR A WIDE RANGE OF INDUSTRIAL APPLICATIONS. THEY ARE MOULDED IN EITHER POLYCARBONATE OR ABS AND OFFER HIGH IMPACT STRENGTH WITH LIGHT WEIGHT MAKING THEM THE IDEAL CHOICE FOR HOUSING ELECTRICAL AND ELECTRONIC EQUIPMENT OF HIGH VALUE. THEIR 'SHOE BOX' DESIGN MAKES THEM AESTHETICALLY SUITABLE FOR A WIDE RANGE OF APPLICATIONS WHERE THE END PRODUCT IS REQUIRED TO HAVE A QUALITY APPEARANCE. A FULL MACHINING AND CUSTOMISING SERVICE IS AVAILABLE TO PROVIDE YOU WITH A FINISHED PRODUCT AVOIDING THE PROBLEMS OF EMPLOYING SEVERAL SUB-CONTRACTORS ALONG WITH ALL THE HIDDEN GOODS INWARDS INSPECTION COSTS. ALL UNITS ARE AVAILABLE WITH POLYCARBONATE CLEAR LIDS ALLOWING THE CONTENTS TO BE VISIBLE AND SUITABLE FOR MOUNTING INTERNAL LABELS WITH PUNCHED LED APPERTURES FOR FUNCTION INDICATION.

## TECHNICAL SPECIFICATION

### CONSTRUCTION:

ALL ENCLOSURE BODIES AND LIDS ARE MANUFACTURED FROM EITHER POLYCARBONATE OR ABS WHICH IS HIGHLY RESISTANT TO CORROSION, COMBINED WITH HIGH STRENGTH AND LIGHT WEIGHT. LIDS ARE SECURED WITH STAINLESS STEEL FASTENERS WHICH LOCATE OUTSIDE THE SEALED AREA..

### IP RATING:

BECAUSE OF THEIR DESIGN USING A RAISED RIB ON THE BOX BODY AND A RECESSED CHANNEL IN THE LID HOUSING A CONTINUOUS NEOPRENE SEAL THE STANDARD OF IP 65 IS ACHIEVED AS STANDARD.

### TEMPERATURE RANGE:

USING THE STANDARD NEOPRENE GASKET -40° C TO +80° C OR USING THE OPTIONAL SILICON GASKETS -50° C TO + 120° C. (POLYCARBONATE ONLY)

### FINISHES:

AVAILABLE AS STANDARD COLOUR RAL 7035. OPTIONAL COLOURS TO CUSTOMER SPECIFICATION ARE AVAILABLE . RFI SHIELDING FOR EMC COMPLIANCE AND SCREEN PRINTING.

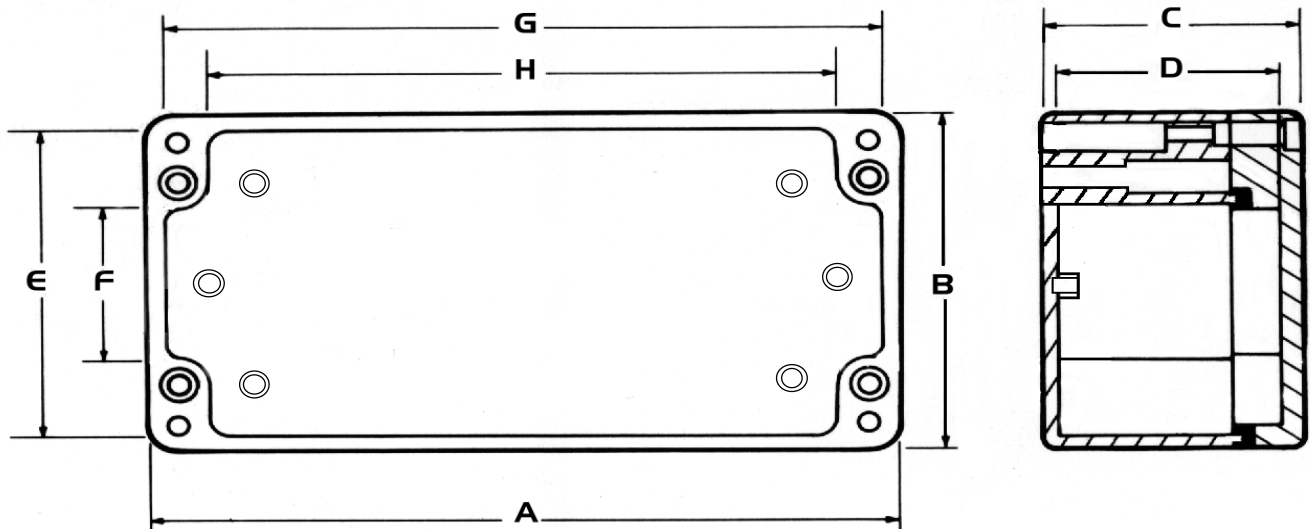
### CUSTOMISING:

A FULL RANGE OF SECONDARY OPERATIONS IS AVAILABLE AT VERY COMPETITIVE PRICES INCLUDING DRILLING AND TAPPING, MACHINING, ENGRAVING, FITTING OF CABLE GLANDS AND ACCESORIES, PLUGS AND SOCKETS, AND A FULL RANGE OF TERMINAL BLOCKS AND FITTINGS.

### ACCESSORIES:

MOUNTING PLATES, EXTERNAL HINGES, EXTERNAL MOUNTING FEET AND WIRE LOCK SCREWS ARE ALL AVAILABLE AT EXTRA COST.

***PHONE OUR SALES ORDER LINE 01298 872233***



ORDER CODES:- POLYCARBONATE SUFFIX -P- ABS SUFFIX -A- CLEAR LID SUFFIX -T-

PART NOS	A	B	C	D	E	F	G	H
CEM 050504	52	50	35	31	45	28	47	30
CEM 060504	65	50	35	31	45	28	60	43
CEM 080805	82	80	55	49	74	37.2	76	57
CEM 080806	82	80	65	59	74	37.2	76	57
CEM 080808	82	80	85	79	74	37.2	76	57
CEM 128055	120	80	55	48.5	74	37.2	114	95.2
CEM 128070	120	80	70	63.5	74	37.2	114	95.2
CEM 128085	120	80	85	80	74	37.2	114	95.2
CEM 168055	160	80	55	48.5	74	37.2	154	135
CEM 168085	160	80	85	80	74	37.2	154	135
CEM 238085	230	80	85	79	74	37.2	224	205.2
CEM 121255	122	120	55	50	114	77.2	116	97.2
CEM 121285	122	120	85	79	114	77.2	116	97.2
CEM 121210	122	120	105	98.5	114	77.2	116	97.2
CEM 161290	160	120	90	83.5	114	75.2	154	135.2
CEM 201275	200	120	75	67.5	113	75.2	194	175.2
CEM 201285	200	120	85	83.5	114	75.2	194	175.2
CEM 201575	200	150	75	69	144	106	194	175
CEM 241210	240	120	100	94	114	79.4	234	217.4
CEM 241690*	240	160	90	84	154	118.4	234	217.4
CEM 241612*	240	160	120	114	154	118.4	234	217.4
CEM 251690*	250	160	90	84.5	154	116	242	225
CEM 251612*	250	160	120	114.5	154	116	242	225
CEM 302385*	300	230	85	78	224	187	294	275
CEM 302311*	300	230	110	103	224	187	294	275
CEM 361610*	360	160	100	94	153	115	353	335
CEM 362015*	360	200	150	144	191	146	351	320
CEM 403615*	400	360	150	143	394	340	352	320

**NOTES:** ENCLOSURES MARKED \* HAVE 6 LID FIXINGS. THE QUANTITY OF INTERNAL FIXING HOLES IS DEPENDENT ON THE SIZE OF THE ENCLOSURE SPECIFIED, PLEASE CONSULT OUR TECHNICAL SALES DEPARTMENT FOR FURTHER DETAILED INFORMATION.