



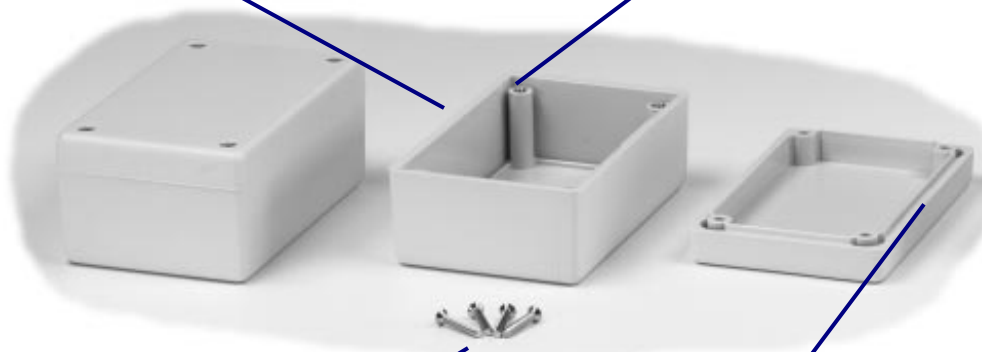
Heavy Duty - ABS

Heavy duty - thick wall design

Brass bushings for repetitive assembly and disassembly



Molded in Flame Retardant ABS



Enclosure uses machine screws into brass bushings

Lap joint construction

P
L
A
S
T
I
C

OTHER KEY FEATURES

- Rugged electronic instrument enclosures, designed for mounting printed circuit boards. Heavy duty with an average wall thickness of .12" (3.1 mm).
- Molded in flame retardant ABS plastic (material carries a UL flammability rating of 94V-0).
- Designed to meet IP54, watertight version meets IP65.
- Countersunk lid is secured with four M3 x 0.5" x 0.71" (18 mm) Philips machine screws threaded into tapped integral brass bushings.
- Stocked in black and grey with matte textured finish.
- Watertight version has a silicon rubber seal.

ACCESSORIES



P.C. Board Card Guides

Allow for vertical or horizontal mounting of P.C. board. Each part number contains either 25 or 5 "sets". Each "set" includes four adaptors (2 - for the short side, 2 - for the long side).
Molded from black ABS plastic.



Belt or Pocket Clip

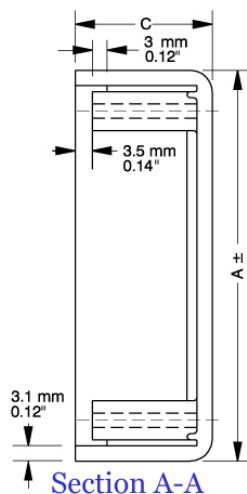
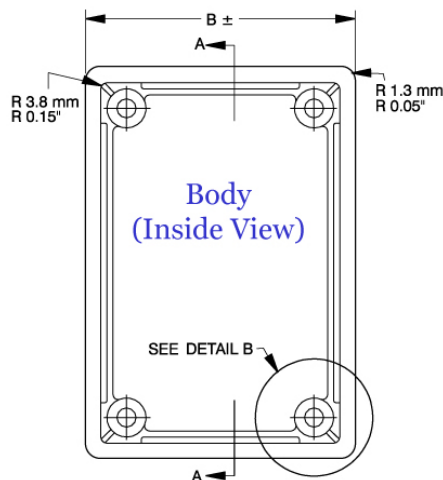
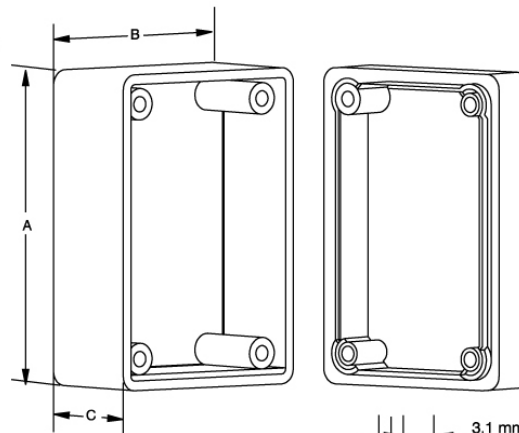
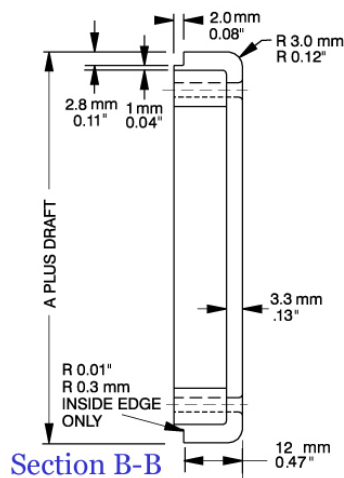
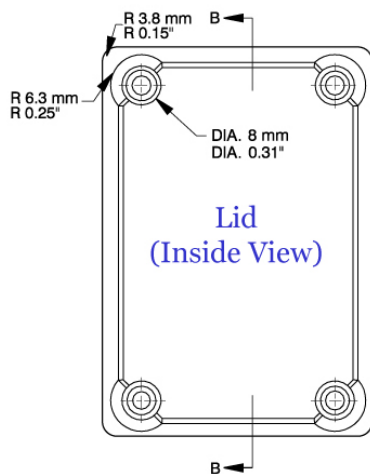
Molded from tough nylon, includes 2 nylon screws and mounting template.
Black - CEMHH CLIP
Grey - CEMHH CLIPGY



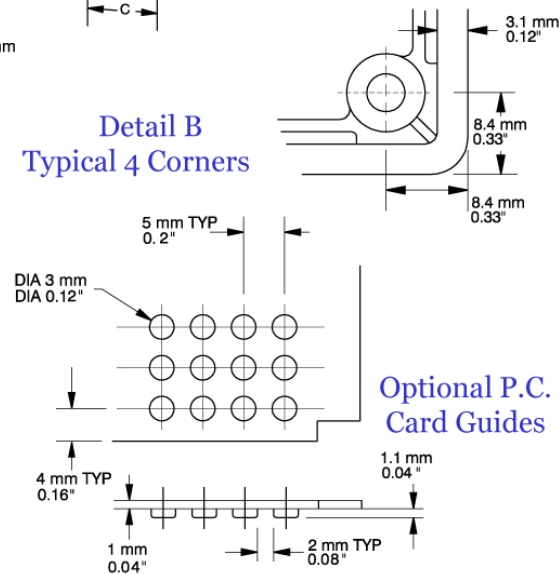
Replacement Screws

Machine screw, used in flame retardant ABS CEMFR series (ie...with brass inserts).
M3 - 0.5 x 20 mm
CEMFR MS100 - Package of 100
CEMFR WMS100 - Package of 100 (for watertight version)

Use with part number	Accessories					
	P.C. Card Guides		Belt or Pocket Clip		Replacement screws (100 per bag)	Replacement screws for watertight (100 per bag)
	(25 SETS OF 4)	(5 SETS OF 4)	Black	Grey		
CEM FR - A	CEMFR AZ25	CEMFR AD5	CEMHH CLIP	CEMHH CLIPGY	CEMFR MS100	CEMFR WMS100
CEM FR - B	CEMFR BZ25	CEMFR BD5	CEMHH CLIP	CEMHH CLIPGY	CEMFR MS100	CEMFR WMS100
CEM FR - C	CEMFR CZ25	CEMFR CD5	CEMHH CLIP	CEMHH CLIPGY	CEMFR MS100	CEMFR WMS100
CEM FR - D	CEMFR DZ25	CEMFR DD5	CEMHH CLIP	CEMHH CLIPGY	CEMFR MS100	CEMFR WMS100
CEM FR - E	CEMFR EZ25	CEMFR ED5	CEMHH CLIP	CEMHH CLIPGY	CEMFR MS100	CEMFR WMS100



Detail B Typical 4 Corners



Part number				Dimensions			
Black	Grey	Black Shielded	Black Watertight	A	B	C	Assembled Height
CEMFR ABK	CEMFR AGY	CEMFR RABK	CEMFR AWBK	56	56	28	40
CEMFR BBK	CEMFR BGY	CEMFR RBBK	CEMFR BWBK	81	56	28	40
CEMFR CBK	CEMFR CGY	CEMFR RCBK	CEMFR CWBK	105	66	33	45
CEMFR DBK	CEMFR DGY	CEMFR RDBK	CEMFR DWBK	131	66	43	55
CEMFR EBK	CEMFR EGY	CEMFR REBK	CEMFR EWBK	167	107	53	65

NOTES: - Assembled height = dimension "C" + 12.0 mm
 - Average wall thickness: 3.1 mm